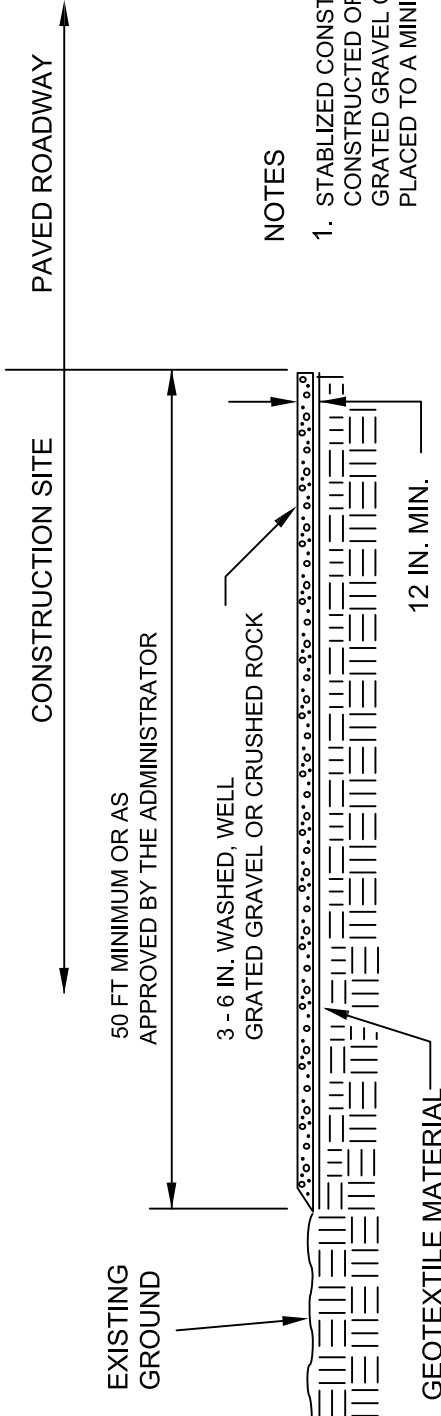


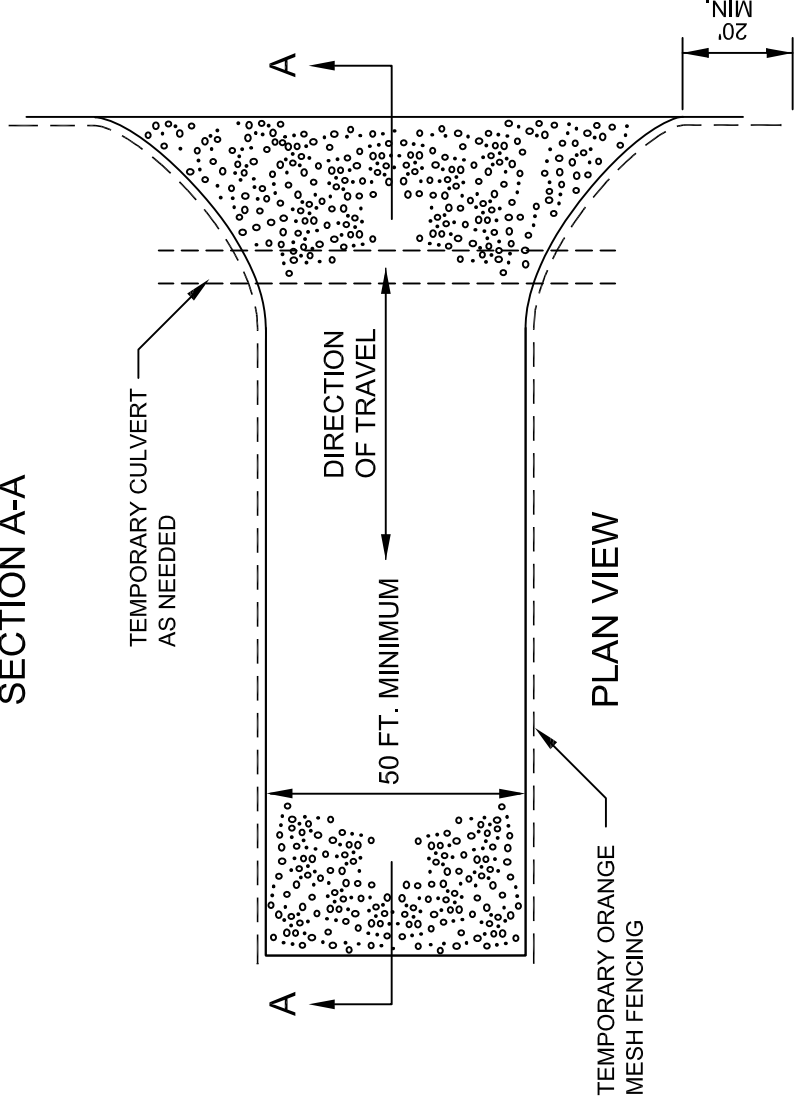
DRAWING NUMBER	TITLE
11-1	STABALIZED CONSTRUCTION SITE ACCESS
11-4	FIBER ROLLS
11-5	SILT FENCE
11-6	CONCRETE WASHOUT
11-7	INLET SEDIMENT CONTROL
11-9	EROSION CONTROL BLANKETS/MATS CHANNEL INSTALLATION
11-10	EROSION CONTROL BLANKETS/MATS SLOPE INSTALLATION



NOTES

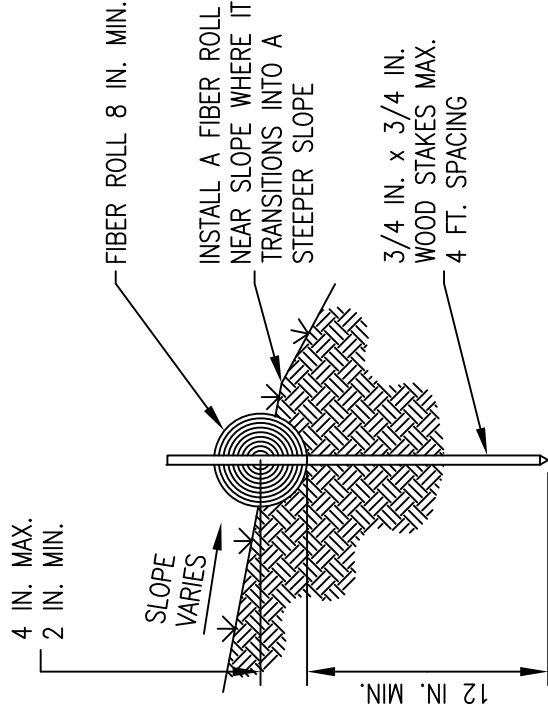
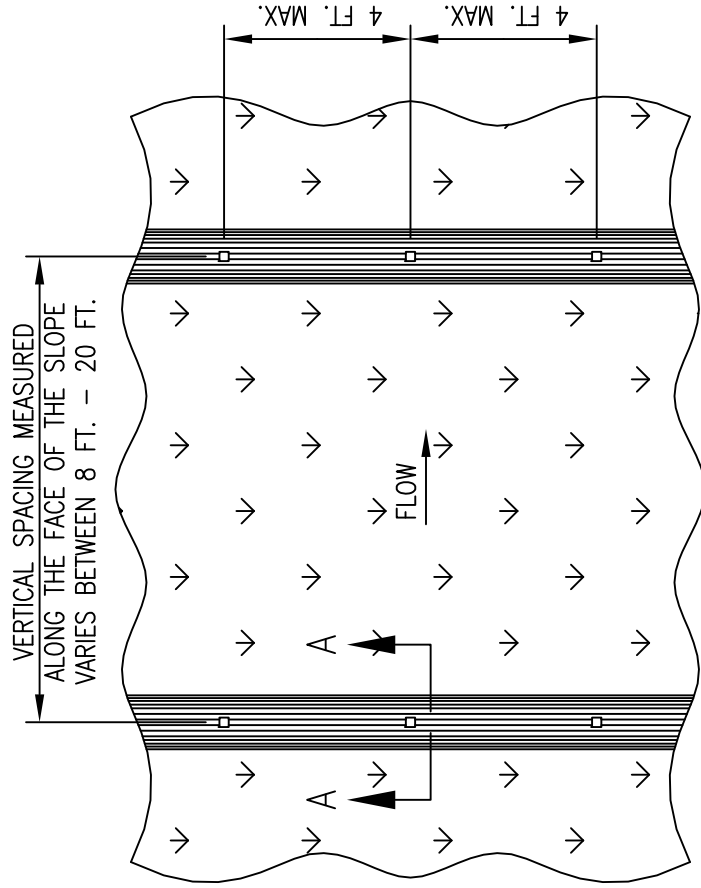
1. STABILIZED CONSTRUCTION SITE ACCESS SHALL BE CONSTRUCTED OF 3-6 INCH WASHED, WELL GRATED GRAVEL OR CRUSHED ROCK. MATERIAL SHALL BE PLACED TO A MINIMUM THICKNESS OF 12 INCHES.
2. LENGTH OF ENTRANCE SHALL BE A MINIMUM OF 50 FT. WIDTH SHALL BE A MINIMUM OF 10 FT. OR GREATER IF NECESSARY TO COVER ALL VEHICULAR INGRESS AND EGRESS. PROVIDE AMPLE TURNING RADII.
3. THE ENTRANCE SHALL BE KEPT IN GOOD CONDITION BY OCCASIONAL TOP DRESSING WITH MATERIAL AS SPECIFIED IN NOTE 1.
4. ACCESSES SHALL BE INSPECTED DAILY DURING PERIODS OF HEAVY USAGE, WEEKLY DURING NORMAL USAGE, AND AFTER EACH RAINFALL, WITH MAINTENANCE PROVIDED AS NECESSARY. PERIODIC TOP DRESSING SHALL BE DONE AS NEEDED.

SECTION A-A



SACRAMENTO COUNTY MUNICIPAL SERVICES AGENCY	
STABILIZED CONSTRUCTION SITE ACCESS	
SCALE: NONE DATE : REV. Nov.2015 DRAWN BY: AW	11-1

THIS DRAWING SUPERCEDES ALL PREVIOUS VERSIONS



TYPICAL FIBER ROLL INSTALLATION

SECTION A - A

- NOTES:
- 1.) INSTALL FIBER ROLLS IN A ROW ALONG A LEVEL CONTOUR.
 - 2.) AT ENDS OF A ROW TURN THE LAST TWO FEET UP SLOPE SLIGHTLY.
 - 3.) FIBER ROLLS SHALL BE OVERLAPED TIGHTLY AT THE JOINTS, NOT ABUTTED.

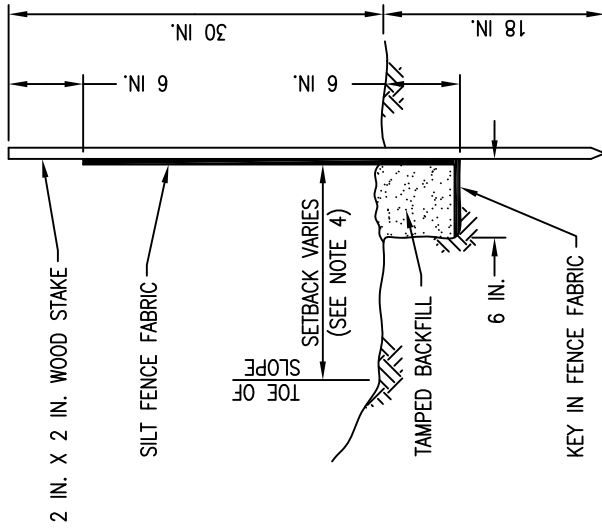
SACRAMENTO COUNTY
MUNICIPAL SERVICES AGENCY

FIBER ROLLS

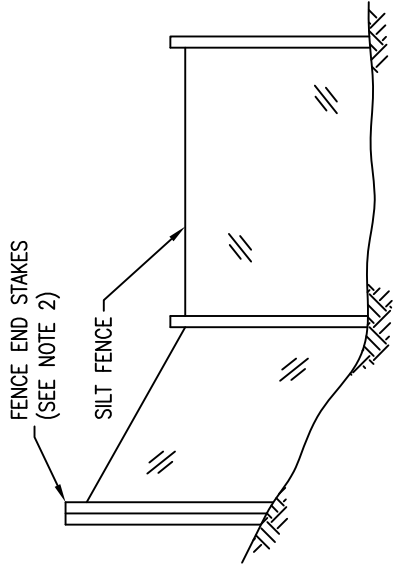
DRAWN BY: AW
SCALE: NONE
DATE: REV. Nov. 2015

NOTES:

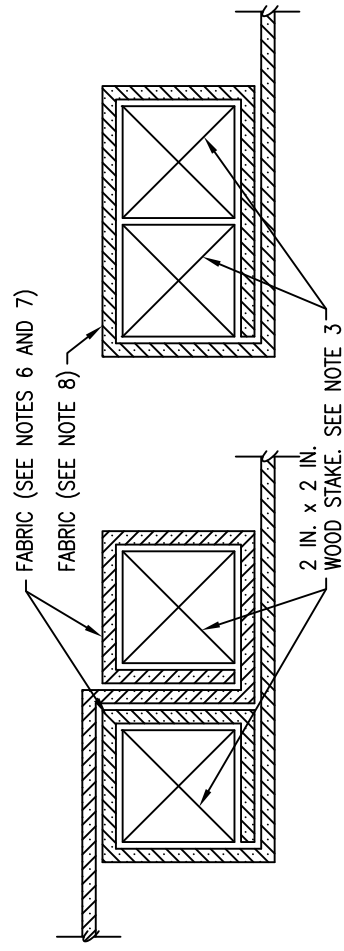
- 1.) CONSTRUCT THE LENGTH OF EACH REACH SO THAT THE CHANGE IN BASE ELEVATION ALONG THE REACH DOES NOT EXCEED 1/3 THE HEIGHT OF THE LINEAR BARRIER. IN NO CASE SHALL THE REACH LENGTH EXCEED 150M.
- 2.) THE LAST 8 FT. OF FENCE SHALL BE TURNED UP SLOPE.
- 3.) STAKE DIMENSIONS ARE NOMINAL.
- 4.) DIMENSIONS MAY VARY TO FIT FIELD CONDITION.
- 5.) STAKES SHALL BE SPACED AT 8 FT. MAXIMUM AND SHALL BE POSITIONED ON THE DOWNSTREAM SIDE OF THE FENCE.
- 6.) OVERLAP STAKES, AND FOLD FENCE FABRIC TO AROUND EACH STAKE ONE FULL TURN.
- 7.) STAKES SHALL BE DRIVEN TIGHTLY TOGETHER TO PREVENT POTENTIAL FLOW THROUGH OF SEDIMENT AT THE JOINT.
- 8.) FOR END STAKE CONDITION FOLD FENCE FABRIC AROUND (2) STAKES (1) FULL TURN AND SECURE WITH (4) STAPLES.
- 9.) MINIMUM (4) STAPLES PER STAKE.
- 10.) CROSS BARRIERS SHALL BE A MINIMUM OF 1/3 AND A MAXIMUM OF 1/2 THE HEIGHT OF THE LINEAR BARRIER.
- 11.) BOTTOM OF SILT FENCE SHALL BE KEYED-IN A MINIMUM OF 12".



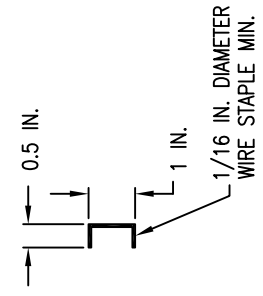
FENCE SECTION DETAIL



FENCE END DETAIL



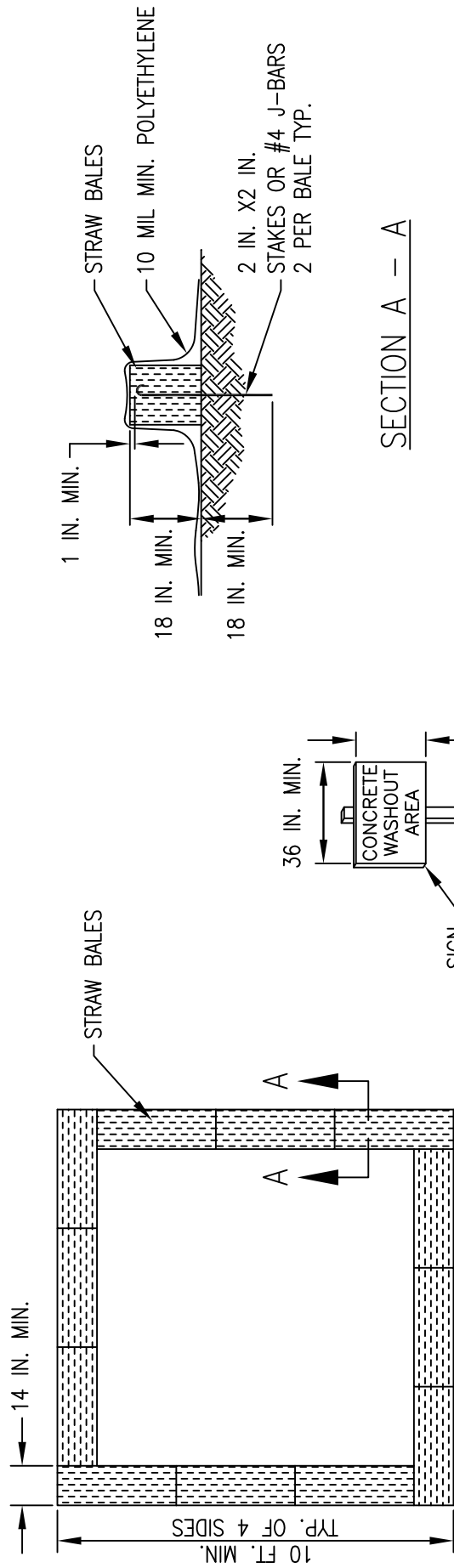
END STAKE DETAIL



STAPLE DETAIL

JOINT DETAIL

SACRAMENTO COUNTY MUNICIPAL SERVICES AGENCY	
SILT FENCE	
DRAWN BY: AW SCALE: NONE DATE: REV. Nov. 2015	11-5



BALE CONFIGURATION

SECTION A - A

THIS SECTION REMOVED FOR GRAPHICAL REPRESENTATION ONLY. STRAW BALE PERIMETER SHALL BE CONTINUOUS.

NOTES:

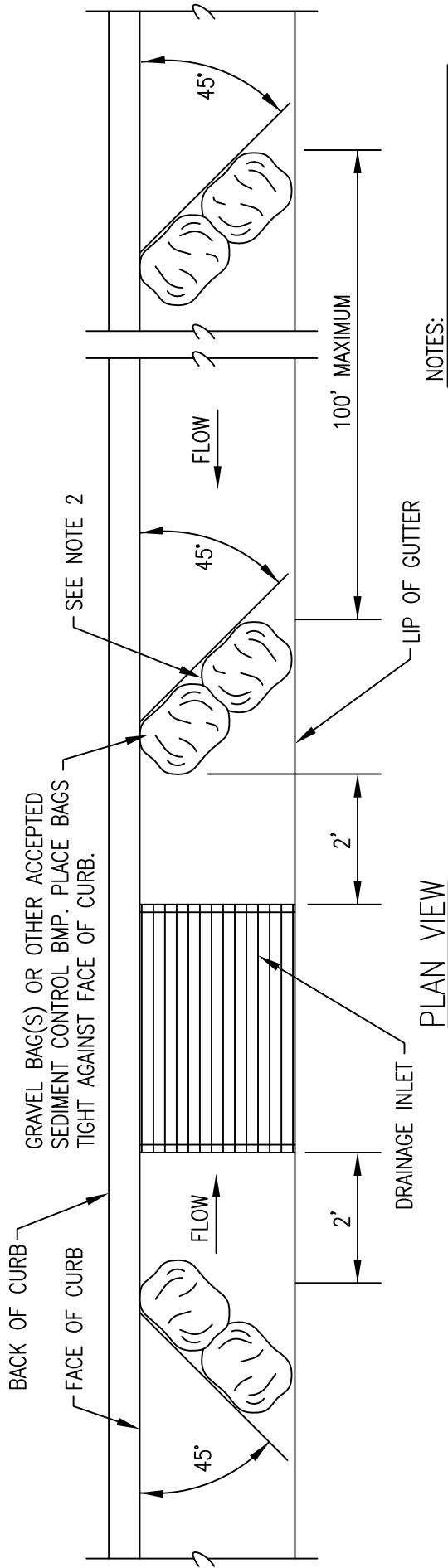
- 1.) FACE SIGN TOWARD NEAREST STREET OR ACCESS POINT.
- 2.) CONCRETE WASHOUT SHALL BE LOCATED BEHIND THE CURB AND 50 FT. MINIMUM FROM DRAINAGE INLETS OR WATERCOURSES

SACRAMENTO COUNTY
MUNICIPAL SERVICES AGENCY

CONCRETE WASHOUT

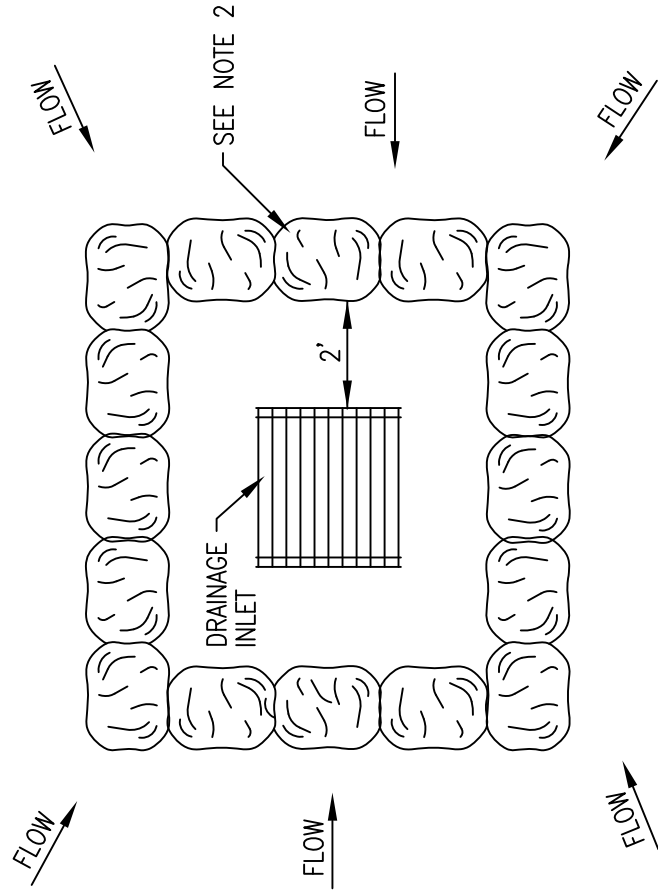
DRAWN BY: AW
SCALE: NONE
DATE: REV. Nov. 2015

11-6

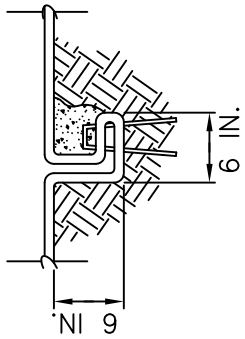


NOTES:

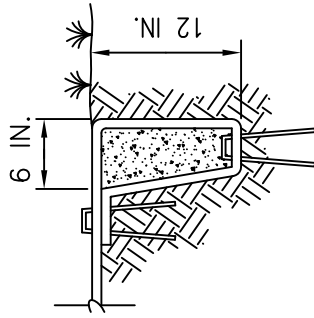
- 1.) SEDIMENT TRAPPED UPSTREAM OF SEDIMENT CONTROL BMP SHALL BE REMOVED WEEKLY AND PRIOR TO A RAINFALL EVENT.
- 2.) PLACE BMP'S TIGHTLY TOGETHER AT JOINTS TO PREVENT OR MINIMIZE SEEPAGE AT JOINTS.
- 3.) STORM DRAIN INLET FILTER BAGS ARE NOT ALLOWED UNLESS APPROVED BY THE MUNICIPAL SEPARATE STORM SEWER SYSTEM PERMIT ADMINISTRATOR.



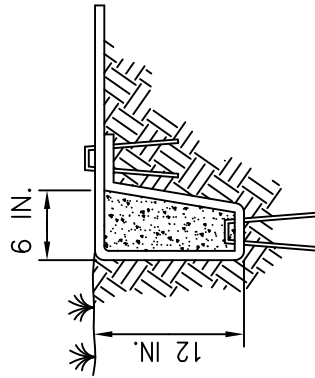
SACRAMENTO COUNTY MUNICIPAL SERVICES AGENCY	
INLET SEDIMENT CONTROL	
DRAWN BY: AW SCALE: NONE DATE: REV. Nov. 2015	11-7



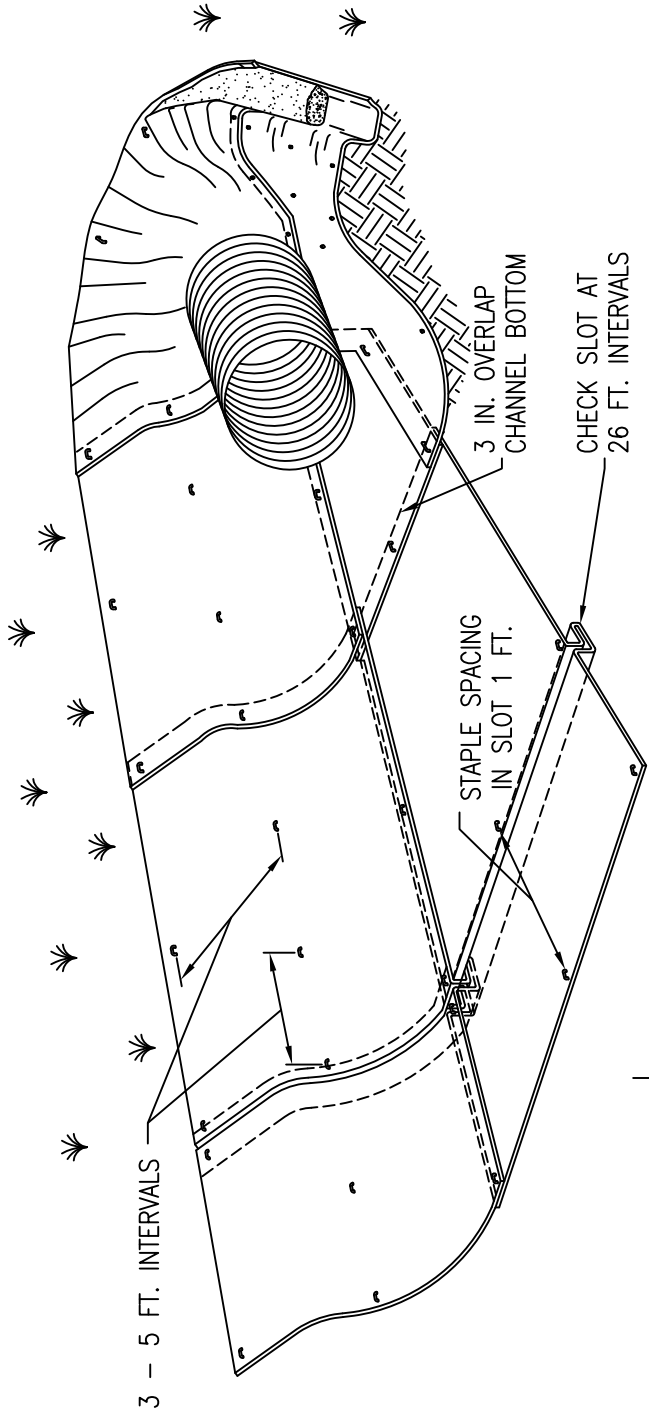
CHECK SLOT



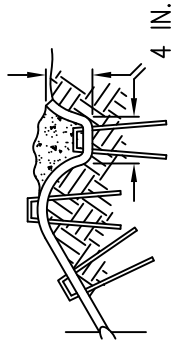
INITIAL CHANNEL ANCHOR TRENCH



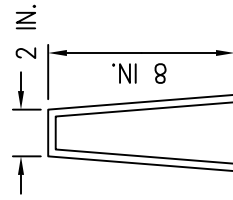
TERMINAL SLOPE AND CHANNEL ANCHOR TRENCH



TYPICAL CHANNEL SOIL STABILIZATION



LONGITUDINAL ANCHOR TRENCH



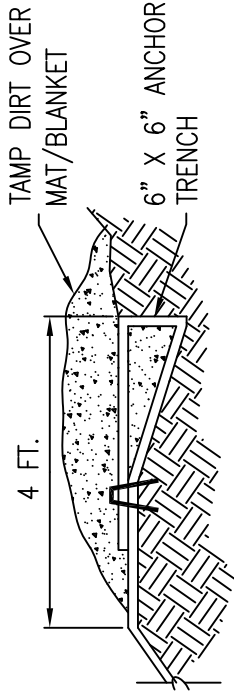
WIRE STAPLES

NOTE:
 1.) CONSTRUCTION OF CHECK SLOTS, STAKING, STAPLING LAYOUT, AND MAT INSTALLATION ALL TO BE DONE PER MANUFACTURER'S SPECIFICATIONS.

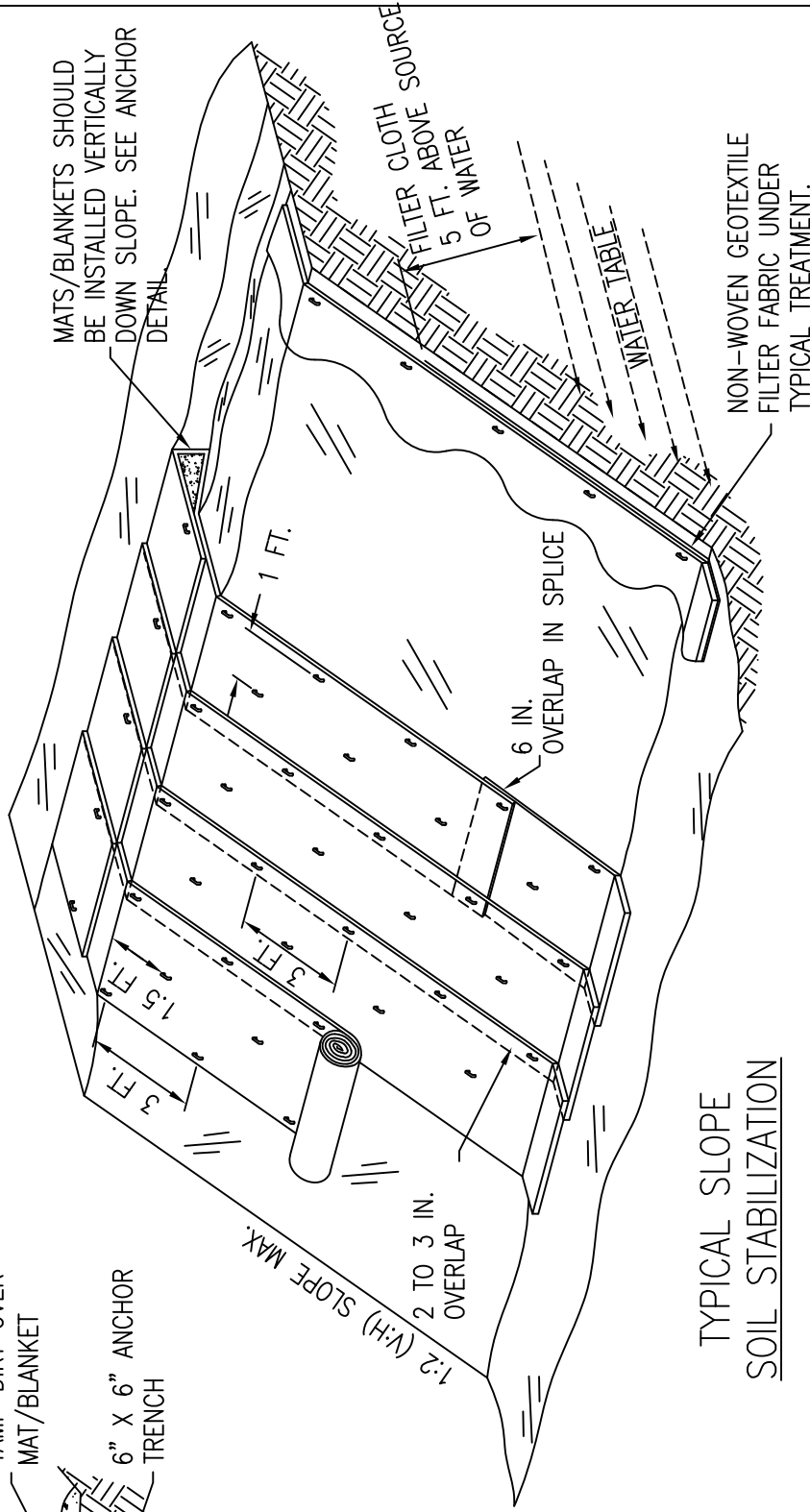
SACRAMENTO COUNTY
 MUNICIPAL SERVICES AGENCY

**EROSION CONTROL
 BLANKETS / MATS
 CHANNEL INSTALLATION**

DRAWN BY: AW
 SCALE: NONE
 DATE: REV Nov. 2015



ANCHOR DETAIL



TYPICAL SLOPE SOIL STABILIZATION

WET SLOPE LINING

NOTES:

- 1.) SLOPE SURFACE SHALL BE FREE OF ROCKS, CLODS, STICKS AND GRASS. MATS/BLANKETS SHALL HAVE GOOD SOIL CONTACT.
- 2.) LAY BLANKETS LOOSELY AND STAKE OR STAPLE TO MAINTAIN DIRECT CONTACT WITH THE SOIL. DO NOT STRETCH.
- 3.) INSTALL PER MANUFACTURER'S RECOMMENDATIONS.

SACRAMENTO COUNTY
MUNICIPAL SERVICES AGENCY

**EROSION CONTROL
BLANKETS / MATS
SLOPE INSTALLATION**

DRAWN BY: AW
SCALE: NONE
DATE: REV. Nov. 2015

11-10